

**STORM SEWER NOTES:**

**GENERAL**

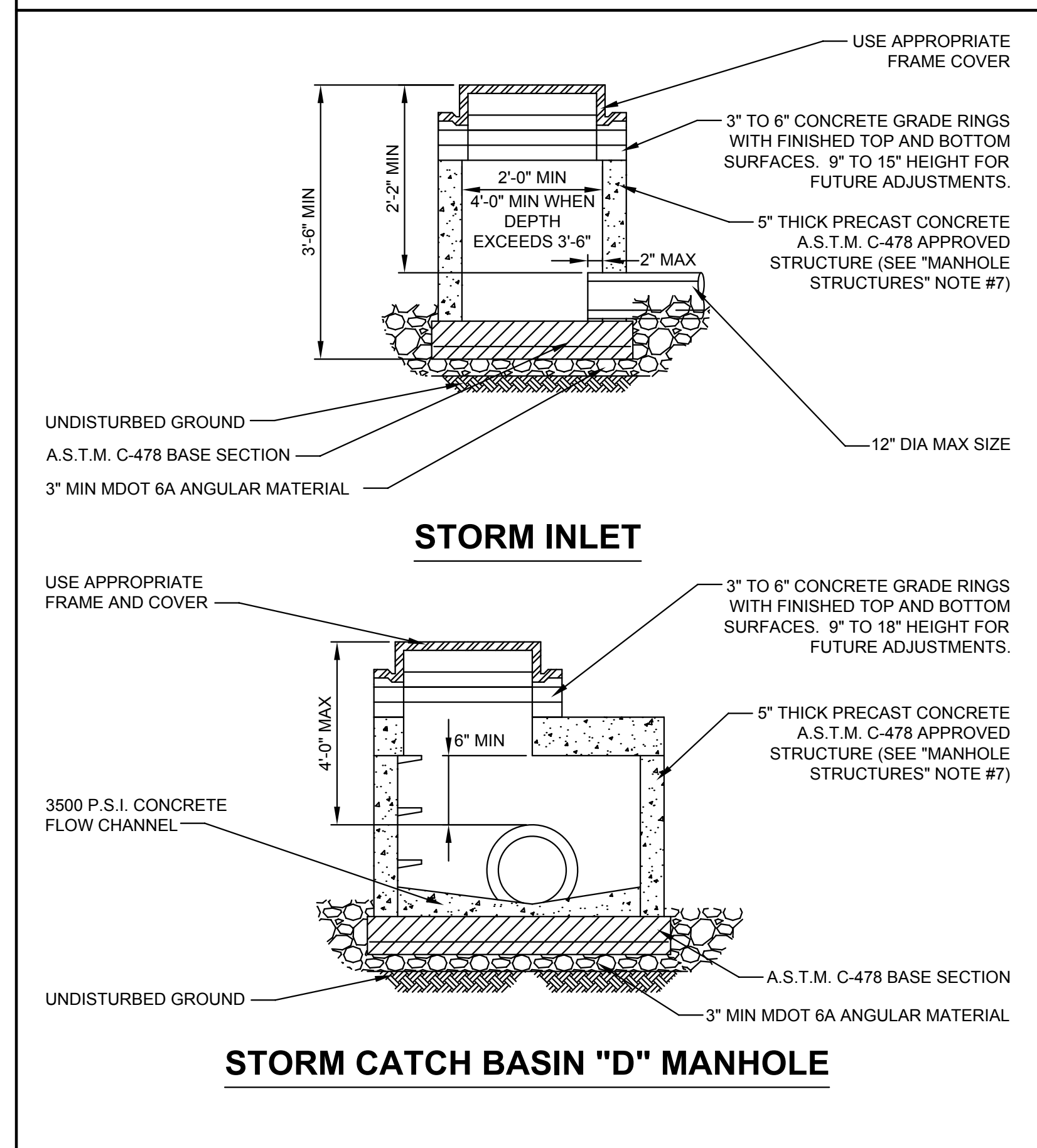
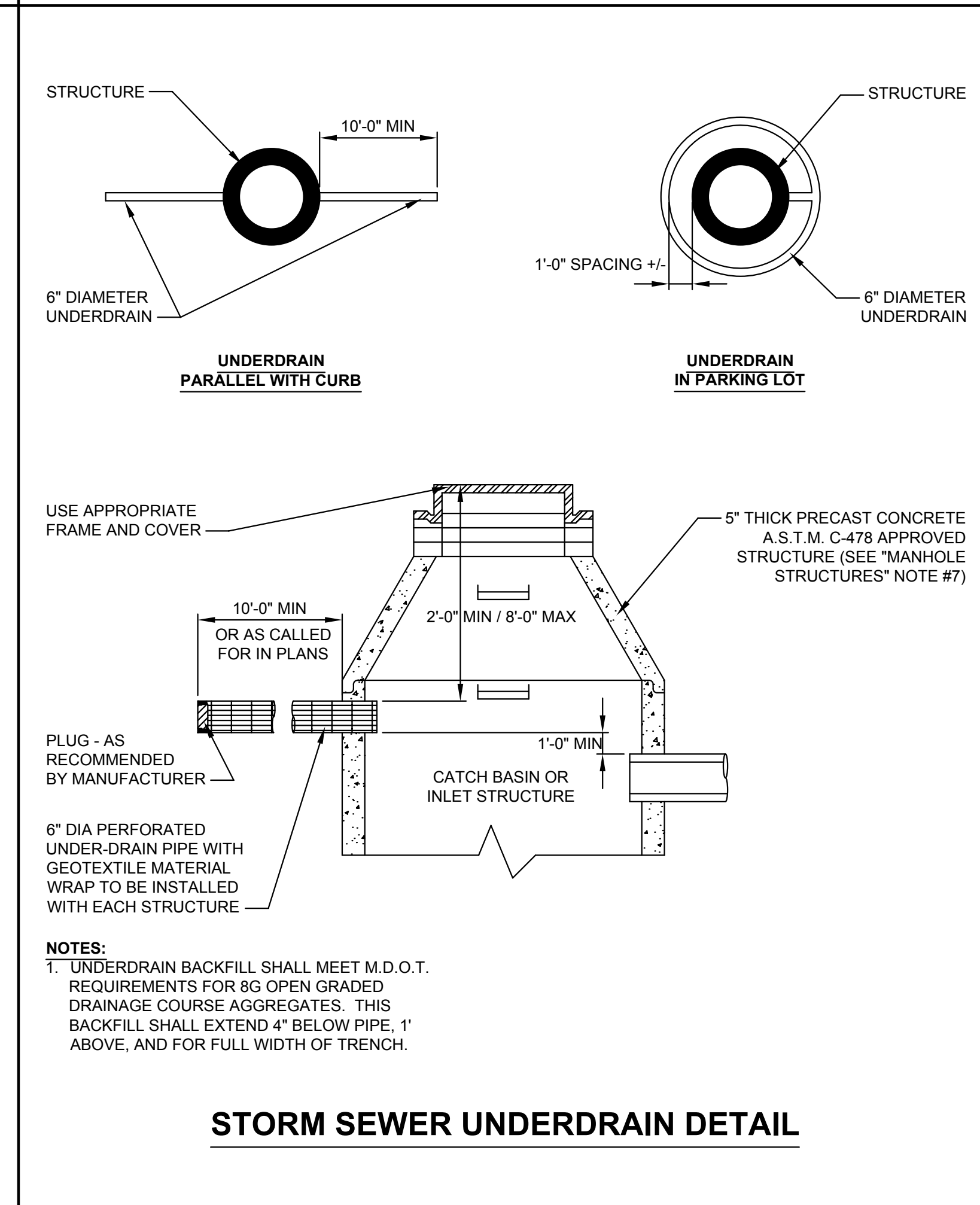
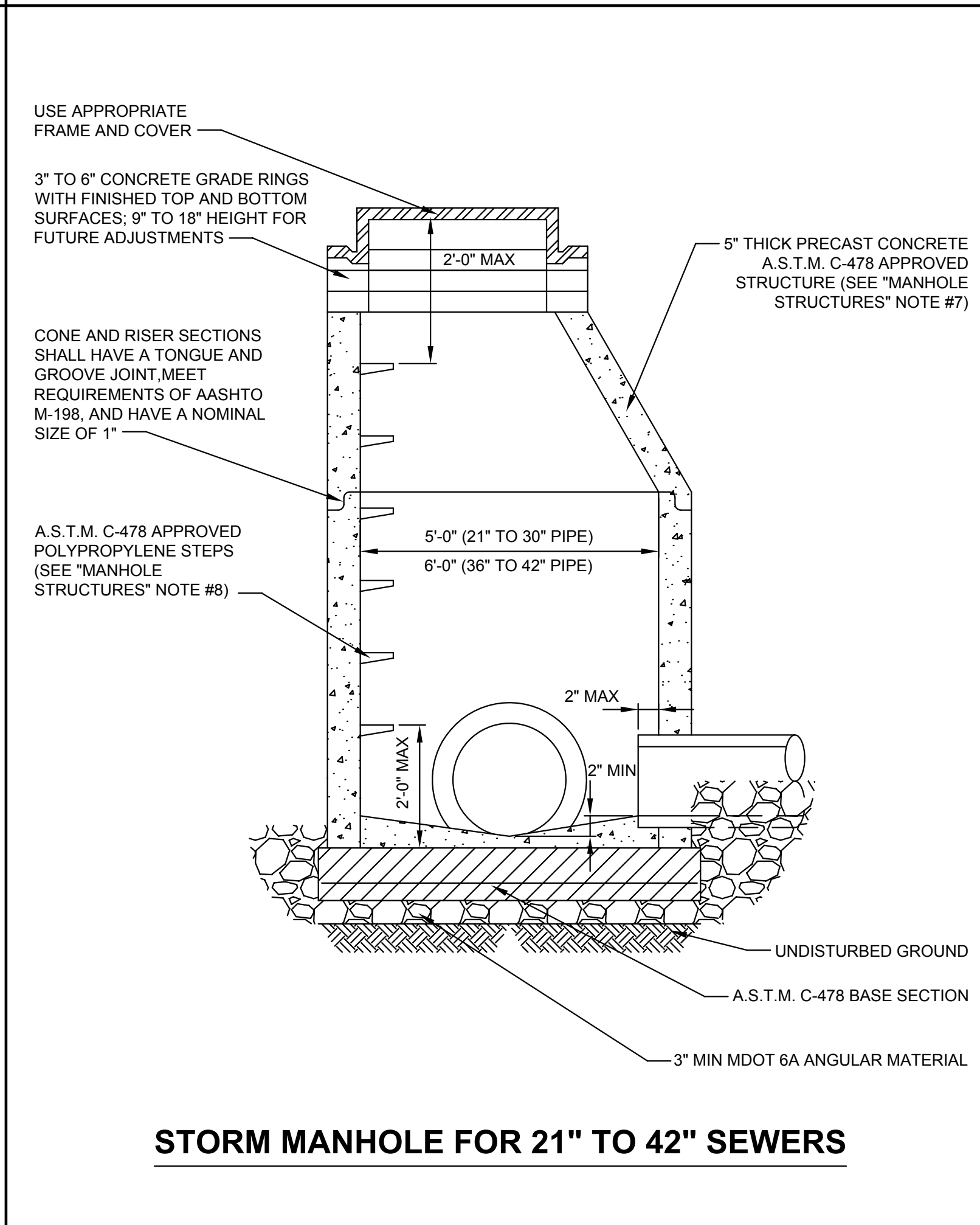
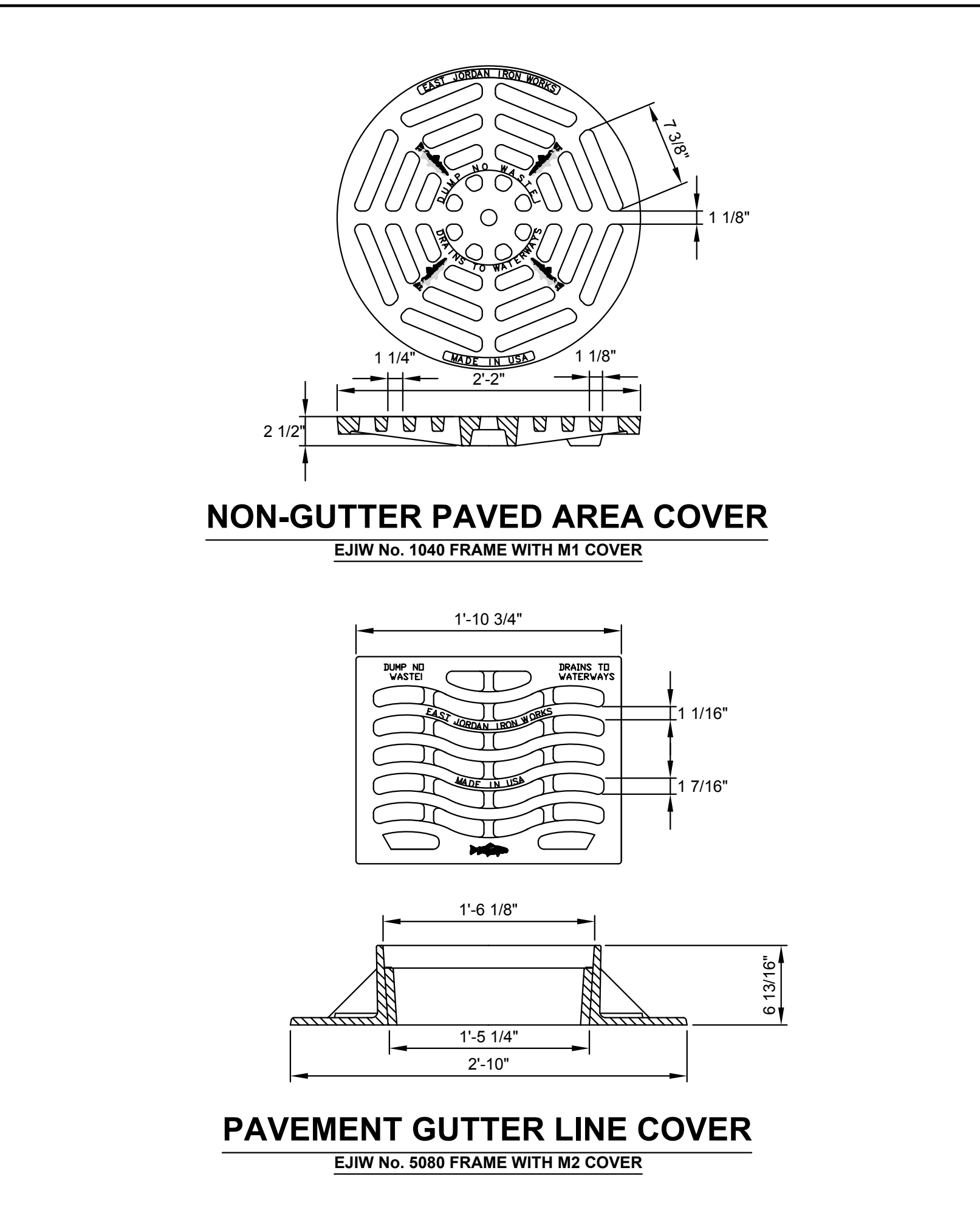
1. ALL STORM SEWER CONSTRUCTION SHALL CONFORM TO THE CURRENT STANDARDS AND GENERAL SPECIFICATION OF THE AGENCY OR AGENCIES HAVING JURISDICTION OF THE STORM SEWER SYSTEM AND CONSTRUCTION AREA.
2. ALL WORK WITHIN THE WAYNE COUNTY ROAD RIGHT-OF-WAY SHALL CONFORM TO WAYNE COUNTY GENERAL NOTES GN-1.
3. SEE MISCELLANEOUS DETAILS SHEET (MD-1) FOR ALL BEDDING AND TRENCH DETAILS.
4. EVERY LOT/UNIT IS TO HAVE DIRECT ACCESS TO A DRAINAGE STRUCTURE.
5. THE STORM SEWER SYSTEM WILL NOT BE CONSIDERED SUBSTANTIALLY COMPLETE UNTIL THE DETENTION POND HAS BEEN COMPLETED. THIS INCLUDES FINAL GRADING OF THE POND AND STABILIZATION OF THE SIDE SLOPES. THE SIDE SLOPES OF THE POND MUST BE STABILIZED BY PLACING A MINIMUM OF 4-INCHES OF TOP SOIL PRIOR TO SEEDING WITH PRAIRIE, WET MEADOW OR OTHER NON-TURF SEED MIXTURE. ENTIRE SIDE SLOPE OF DETENTION POND SHALL BE PEGGED WITH MULCH BLANKET AND WOODEN STAKES.

**MANHOLE STRUCTURES**

1. MANHOLE STRUCTURES REQUIRE A MINIMUM OF 8 INCHES OF CONCRETE WALL BETWEEN PIPE OPENINGS. LARGER DIAMETER STRUCTURES MAY BE REQUIRED WHERE PIPES ENTERING THE STRUCTURE ARE LESS THAN 90 DEGREES APART IN ANY DIRECTION.
2. ALL CASTING RIMS SHALL BE SET TO GRADE OR AS SHOWN ON THE PLANS.
3. NO MANHOLES OR OTHER STRUCTURES MAY BE INSTALLED WITHIN DRIVEWAYS, DRIVE APPROACHES, OR SIDEWALKS.
4. DIFFERENTIAL OF EXCAVATION AROUND EXISTING MANHOLES SHALL NOT EXCEED 6 FEET.
5. SAND BACKFILL MUST BE PLACED WITHIN 3 FEET OF ALL STRUCTURES IN 12-INCH LIFTS AND COMPACTED TO 95% COMPACTION.
6. ALL DRAINAGE STRUCTURES LOCATED WITHIN PAVEMENT MUST HAVE UNDERDRAIN AS SHOWN ON THIS SHEET.
7. ALL STRUCTURES MUST BE 5-INCH THICK PRE-CAST CONCRETE, A.S.T.M. C-478 APPROVED, WITH 1/2-INCH CEMENT PLASTER ON JOINTS INSIDE AND OUT. UNDER CANTON TOWNSHIP ENGINEER APPROVAL, STRUCTURES MAY BE 5-INCH THICK CONCRETE BLOCK STRUCTURE CONSTRUCTED IN THE FIELD WITH 1/2-INCH CEMENT PLASTER COAT INSIDE AND OUT.
8. MANHOLE STEPS ARE TO BE INSTALLED AT THE PLANT BY THE MANUFACTURER OF THE STRUCTURE. THE STEPS ARE TO BE 16 INCHES ON CENTER, MADE OF POLYPROPYLENE, AND A.S.T.M. C-478 APPROVED. STEPS ARE TO BE LOCATED AT 90 DEGREES TO THE CENTERLINE OF THE MAIN SEWER LINE. THE BOTTOM STEP SHOULD BE LOCATED A MAXIMUM OF 24 INCHES ABOVE THE FLOOR.

**PIPES & LEADS**

1. ALL STORM SEWER PIPES SHALL BE MINIMUM 12-INCH DIAMETER C76, CLASS IV R.C.P. WITH PREMIUM JOINTS, UNLESS OTHERWISE APPROVED BY THE APPROPRIATE ENTITY.
2. ALL STORM SEWER PIPES SHALL HAVE MDOT 6A BEDDING UNLESS OTHERWISE NOTED ON THE PLANS.
3. ALL PIPES 36-INCH AND LARGER MUST HAVE THE INSIDE JOINTS POINTED.
4. ALL PIPE OUTLETS 36-INCH AND LARGER MUST HAVE A HEADWALL WITH FOOTINGS.
5. ALL PIPE END SECTIONS 12-INCH AND LARGER MUST HAVE AN ANIMAL GRATE.
7. BACKFILL FOR ALL REAR YARD STORM SEWERS IS TO BE 3/4-INCH CRUSHED STONE TO A MINIMUM OF 12 INCHES OVER PIPE.
8. SUMP PUMP LEADS ARE TO BE A MINIMUM OF 3-INCH SCHEDULE 40 PVC.
9. UNDERDRAIN PIPE MUST BE PERFORATED POLYETHYLENE PIPE WITH GEOTEXTILE WRAP. THE MINIMUM SIZE IS 6-INCH AND THE MINIMUM AND MAXIMUM DEPTH IS 2 FEET AND 8 FEET, RESPECTIVELY.



DATE:	REVISIONS:	BY:
5/31/2007	PUBLIC RELEASE	CJL